

Destinations	Current Security Wait Times				Gate	Status
	A 16 min	B 15 min	C 12 min	D 7 min		
Chicago Midway (MDW)	9:48	Southwest	9:30 AM	C18	C18	On Time
Chicago Midway (MDW)	2:26	Southwest	9:45 AM	C9	C9	On Time
Chicago Midway (MDW)	1:42	Southwest	10:15 AM	C17	C17	On Time
Columbus (CMH)	5:16	Southwest	9:50 AM	C8	C8	On Time
Dallas Love Field (DAL)	2:49	Southwest	7:30 AM	D8	D8	Departed
Dallas Love Field (DAL)	4:13	Southwest	7:45 AM	D6	D6	On Time
Dallas Love Field (DAL)	2:24	Southwest	9:30 AM	C19	C19	On Time
Dallas Love Field (DAL)	4:71	Southwest	10:15 AM	C13	C13	On Time
Denver (DEN)	1:57	Southwest	7:50 AM	C1	C1	On Time
Denver (DEN)	3:22	Southwest	8:00 AM	C3	C3	On Time
Denver (DEN)	7:32	Southwest	8:05 AM	C18	C18	On Time
Denver (DEN)	2:05	Southwest	8:05 AM	C9	C9	On Time
Denver (DEN)	2:23	Southwest	8:25 AM	D4	D4	On Time
Denver (DEN)	2:50	Southwest	8:55 AM	C17	C17	On Time
Denver (DEN)	2:35	Southwest	9:35 AM	C7	C7	On Time

Destinations	Current Security Wait Times				Gate	Status
	A 16 min	B 15 min	C 12 min	D 7 min		
Chicago Midway (MDW)	9:48	Southwest	9:30 AM	C18	C18	On Time
Chicago Midway (MDW)	2:26	Southwest	9:45 AM	C9	C9	On Time
Chicago Midway (MDW)	1:42	Southwest	10:15 AM	C17	C17	On Time
Columbus (CMH)	5:16	Southwest	9:50 AM	C8	C8	On Time
Dallas Love Field (DAL)	2:49	Southwest	7:30 AM	D8	D8	Departed
Dallas Love Field (DAL)	4:13	Southwest	7:45 AM	D6	D6	On Time
Dallas Love Field (DAL)	2:24	Southwest	9:30 AM	C19	C19	On Time
Dallas Love Field (DAL)	4:71	Southwest	10:15 AM	C13	C13	On Time
Denver (DEN)	1:57	Southwest	7:50 AM	C1	C1	On Time
Denver (DEN)	3:22	Southwest	8:00 AM	C3	C3	On Time
Denver (DEN)	7:32	Southwest	8:05 AM	C18	C18	On Time
Denver (DEN)	2:05	Southwest	8:05 AM	C9	C9	On Time
Denver (DEN)	2:23	Southwest	8:25 AM	D4	D4	On Time
Denver (DEN)	2:50	Southwest	8:55 AM	C17	C17	On Time
Denver (DEN)	2:35	Southwest	9:35 AM	C7	C7	On Time



**DIGITAL SIGNAGE DISPLAYS** BM66AE SERIES  
 Perfectly designed for public places

# Hisense

## BM66AE SERIES FOR ROUND-THE-CLOCK LOCATIONS

Hisense's BM66AE Digital Signage Displays (43", 55", 65", 75", 86") are a perfect fit for public transport and retail locations. Their slim body design will make them blend into their surrounding and make your on-screen messaging stand out. Their vivid and vibrant colors immerse viewers and will effectively provide them with the information they are looking for.

All this with the flexibility and reliability that are required for round-the-clock broadcasting locations due to light sensors, intelligent temperature control and dual-core SOC technology for PC-less offline or cloud-based content management. You can rest assured your content will be delivered 24/7 in an elegant, vibrant and reliable way.

BM66AE Series- 43", 55", 65", 75", 86"



## ELEGANT, VIBRANT AND RELIABLE

### KEY FEATURES

#### Landscape & portrait

Both landscape and portrait orientations are possible, providing you with endless creative and functional possibilities to fulfill your informative or commercial goals.

#### 4K Ultra HD

The 4K Ultra HD picture quality ensures perfect color and rich details in all possible broadcasting surroundings, ranging from shopping malls to airports and public transport stations.

#### 178° Wide viewing angle

The extra wide 178° viewing angle is a perfect fit for large groups of people that will view BM66AE displays from diverse angles while passing by.

#### Auto brightness

Thanks to our advanced auto brightness sensor the BM66AE displays will intelligently adjust their brightness to their surroundings, making sure energy usage is always optimized.

#### 500 nits

With 500 nits maximum brightness the display panels can deliver amazingly vivid imagery anywhere during daytime and nighttime conditions.

#### Slim design

With 12mm bezels the BM66AE displays are the slimmest and most elegant in our range. Making sure your broadcasting content is always the focus of attention.

#### Dust & humidity protection

The main board and power board of each Hisense BM66AE display is coated so it will effectively resist the erosion by dust and water vapor in public space conditions.

#### Temperature protection

The BM66AE displays are resistant to high temperatures and have an automatic temperature control mechanism. They will automatically adjust their backlight brightness when their temperature reaches 75°C to cool the display. At 100°C they will automatically switch to standby mode.

#### Smart CMS

Hisense's CMS platform allows you to edit and arrange playlists, making content management easy and user-friendly. It supports all rich media content in synchronous playback over a multitude of commercial displays. Besides this status monitoring and real-time control will allow you to quickly and centrally respond to any emergency.

#### Fail over

Stable broadcast is ensured with fail over functionality. When the primary source of content goes down the system will automatically switch to predetermined alternative input. All input sources (HDMI, DVI, VGA, DP).

#### Detachable logo

For customization needs the Hisense logo has been made detachable. If for instance you want to arrange multiple BM66AE displays to form a video wall the logos can be freely removed.

#### Round-the-clock operation

Designed with dual-core System on Chip (SoC) technology the Hisense BM66AE series can be used as reliable digital signage displays for both offline and cloud based content. You are completely free to choose your content management system to help display your advertising. And if necessary the internal memory will allow you to upload media into the display for instant broadcast without the need for external hard- or software.

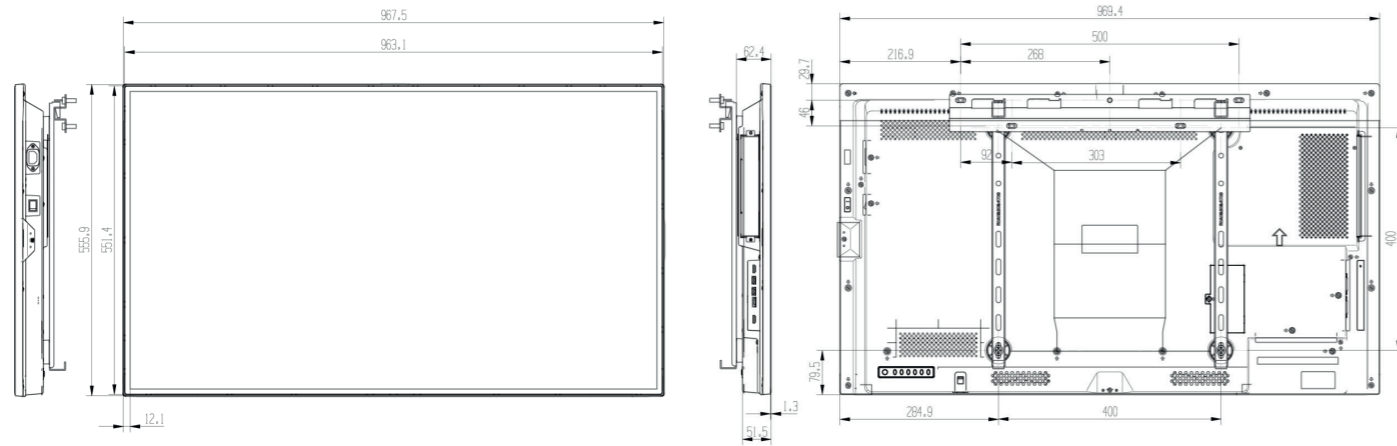
#### SoC Specifications

CPU: Dual Core A73-1.2GHz  
GPU: 5 Core mali-450  
Memory Support: 2G + 16G  
OS: Android 7.0 / 9.0  
USB Support: USB2.0/USB3.0  
UHD Support: Yes

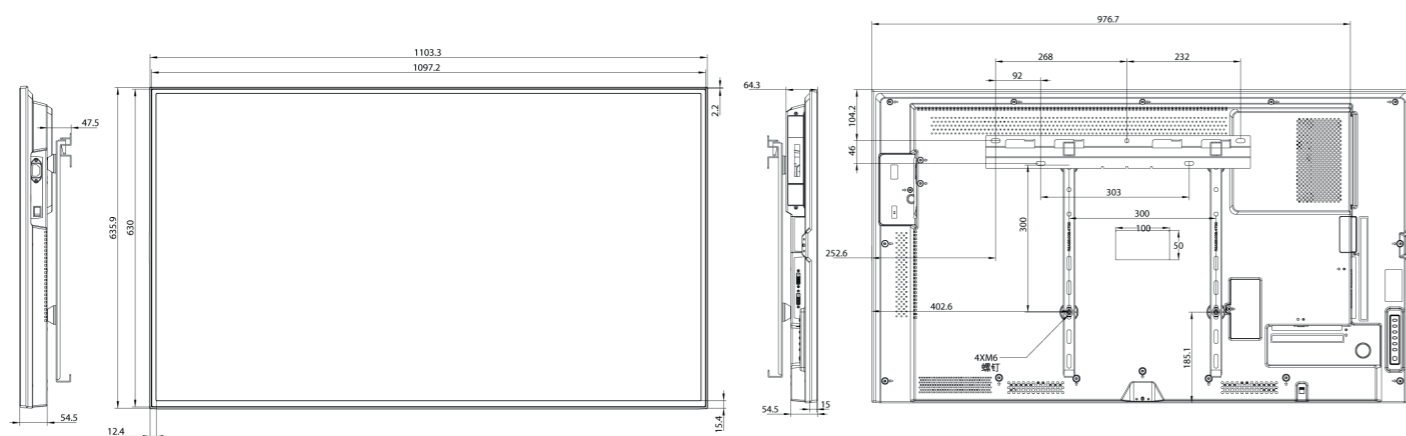


## DIMENSIONS IN INCHES

**43"** 38.1 × 21.9 × 2.3 in  
29.8 lbs



**49"** 43.5 × 25.2 × 2.5 in  
37.5 lbs



## FEATURES

- HDMI CEC support through HDMI
- Remote control IR loop (with RJ45)
- Firmware upgrade via USB/Network
- 24/7 Scheduler with Real Time Clock
- Over temperature protection
- Remote controller lock
- Key lock
- Built-in 8W x 2 speakers
- Fast standby
- World Clock setting
- Wake up on LAN
- Wireless Access Point for mobile devices

## COMPONENTS



User manual



Remote controller



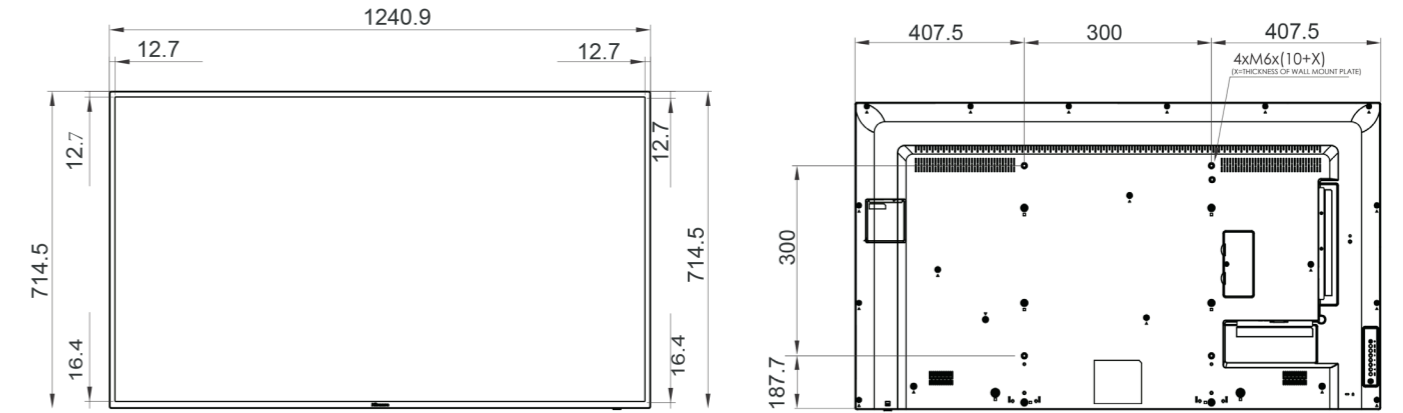
Logo accessory



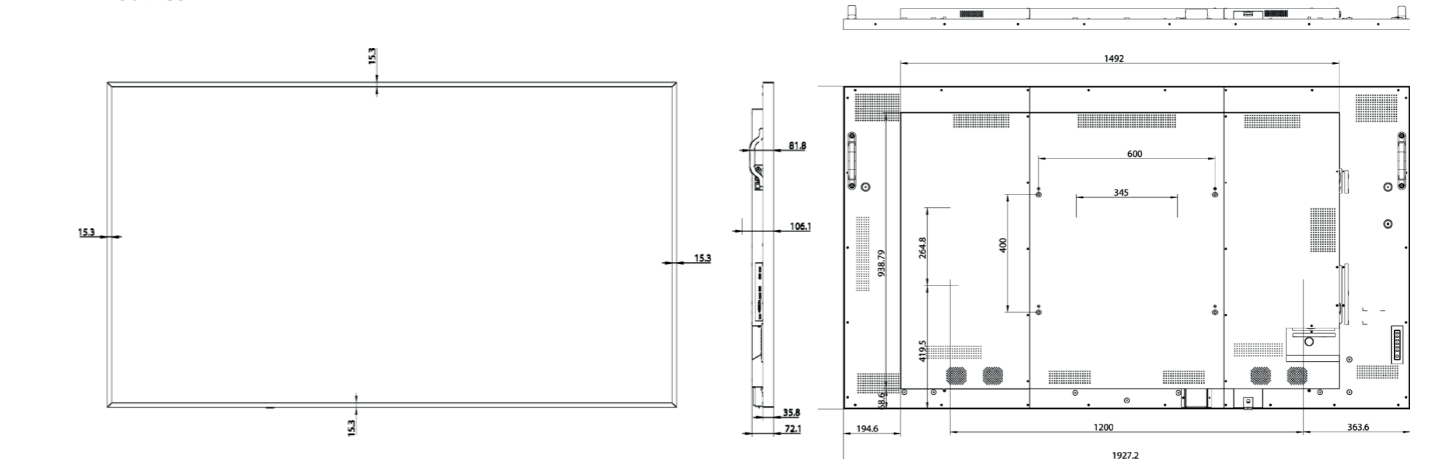
Power cord

## DIMENSIONS IN INCHES

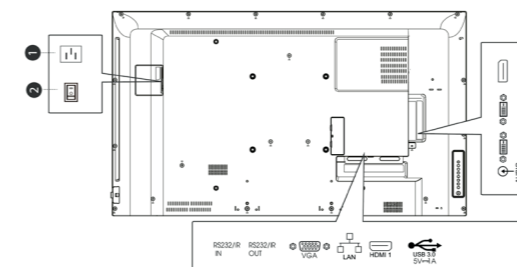
**55"** 48.9 × 28.1 × 2.6 in  
45.2 lbs



**86"** 75.9 × 43.2 × 2.8 in  
136.7 lbs

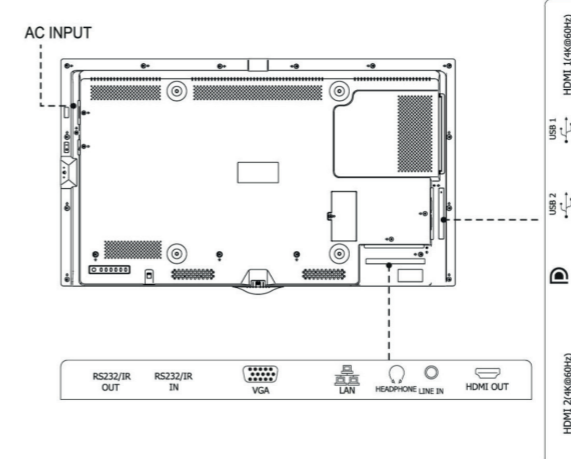


## CONNECTIVITY 49"/55"



1. AC IN
2. Main Power Switch
3. RS232/IR In
4. RS232/IR Out
5. D-sub (VGA In)
6. Lan
7. HDMI In
8. USB Port
9. Audio In
10. DVI Out
11. DVI In
12. DP In

## CONNECTIVITY 43"/86"



- 1 x LAN (RJ45)
- 1 x VGA Port
- 1 x RS232/IR In
- 1 x RS232/IR Out
- 1 x HDMI In
- 1 x HDMI Out
- 1 x DP In
- 2 x USB
- 2 x HDMI In
- 1 x DP In

# SPECIFICATIONS

Digital Signage Displays: M-series			
Panel	Model	43BM66AE	49BM66AE
	Backlight	ELED	ELED
	Size	43"	49"
	Resolution	3840*2160	3840*2160
	Refresh rate	60HZ	60HZ
	Color	1.07B	1.07B
	Brightness	500nits	500nits
	Contrast(typ)	1200:1 (typ)	1100:1 (typ)
	Response time(typ)	8ms	8ms
	Viewing angle(Min.)	178°/178°	178°/178°
	Color gamut	72%	72%
	Haze	1%	1%
	Orientation	Landscape & Portrait	Landscape & Portrait
	Lifetime	50,000 hrs	50,000 hrs
Operation Hours	24/7	24/7	
System	OS	Android 9.0	Android 7.0
	CPU	ARM Cortex-A73 Dual core	ARM Cortex-A73 Dual core
	GPU	Mali 450	Mali 450
	DDR	2G	2G
	ROM	16G	16G
Connectivity	Language	English	English
	WIFI	Yes	Yes
	LAN	RJ45x1	RJ45x1
	SD /TF Card	/	/
	Input	2 x USB/ 2 x HDMI/ 1 x DP/ 1 x VGA/ 1 x RS232	2 x USB/ 2 x HDMI/ 1 x DP/ 1 x VGA/ 1 x RS232
Speaker	Output	1 x Audio/ 1 x HDMI/ 1 x RS232	1 x Audio/ 1 x HDMI/ 1 x RS232
	Built in speaker	9W x 2	8W x 2
Control Method	Remote	Yes	Yes
	RS232	Yes	Yes
Environment	Temperature	Storage: -4° - 140°F	Storage: -4° - 140°F
		Operation: 32° - 104°F	Operation: 32° - 104°F
	Humidity	Storage:10% ~ 90%	Storage:10% ~ 90%
		Operation:10% ~ 80%	Operation:10% ~ 80%
Power	Input	AC 100~240V (50/60Hz)	AC 100~240V (50/60Hz)
	Power Consumption	120W (Max)	100W (Max)
	Standby Consumption	<0.5W	<0.5W
Physical	Bezel Color	Black	Black
	Set Dimension(WxHxD)	38.1 × 21.9 × 2.3 in	43.5 × 25.2 × 2.5 in
	Bezel width (T/L/R/B)	0.48 in (T/B/L/R)	0.47 in (T), 0.61 in (B), 0.49 in (L/R)
	Net Weight	29.8 lbs	37.5 lbs
	Packing Dimension (WxHxD)	42.3 × 26.1 × 6.3 in	47.6 x 29.5 x 7.8 in
	Packed Weight	37.5 lbs	46.3 lbs
Media Player compability	VESA	400mm x 400mm	300mm x 300mm
	OPS Type Compatible	Yes	Yes
Accessories	Basic	Power cord Remote controller RS 232 cable Battery Logo Spacer	Power cord Remote controller RS 232 cable Battery Logo Spacer

# SPECIFICATIONS

Digital Signage Displays: M-series			
Panel	Model	55BM66AE	86BM66AE
	Backlight	ELED	ELED
	Size	55"	86"
	Resolution	3840*2160	3840*2160
	Refresh rate	60HZ	120Hz
	Color	1.07B	1.07B
	Brightness	500nits	500nits
	Contrast(typ)	1100:1 (typ)	1100:1 (typ)
	Response time(typ)	8ms	8ms
	Viewing angle(Min.)	178°/178°	178°/178°
	Color gamut	72%	72%
	Haze	1%	28%
	Orientation	Landscape & Portrait	Landscape & Portrait
	Lifetime	50,000 hrs	50,000 hrs
Operation Hours	24/7	24/7	
System	OS	Android 7.0	Android 9.0
	CPU	ARM Cortex-A73 Dual core	ARM Cortex-A73 Dual core
	GPU	Mali 450	Mali 450
	DDR	2G	2G
	ROM	16G	16G
Connectivity	Language	English	English
	WIFI	Yes	Yes
	LAN	RJ45x1	RJ45x1
	SD /TF Card	/	/
	Input	2 x USB/ 2 x HDMI/ 1 x DP/ 1 x VGA/ 1 x RS232	2 x USB/ 2 x HDMI/ 1 x DP/ 1 x VGA/ 1 x RS232
Speaker	Output	1 x Audio/ 1 x HDMI/ 1 x RS232	1 x Audio/ 1 x HDMI/ 1 x RS232
	Built in speaker	8W x 2	15W x 2
Control Method	Remote	Yes	Yes
	RS232	Yes	Yes
Environment	Temperature	Storage: -4° - 140°F	Storage: -4° - 140°F
		Operation: 32° - 104°F	Operation: 32° - 104°F
	Humidity	Storage:10% ~ 90%	Storage:10% ~ 90%
		Operation:10% ~ 80%	Operation:10% ~ 80%
Power	Input	AC 100~240V (50/60Hz)	AC 100~240V (50/60Hz)
	Power Consumption	120W (Max)	300W (Max)
	Standby Consumption	<0.5W	<0.5W
Physical	Bezel Color	Black	Black
	Set Dimension(WxHxD)	48.9 × 28.1 × 2.6 in	75.9 × 43.2 × 2.8 in
	Bezel width (T/L/R/B)	0.46 in (T), 0.58 in (B), 0.48 in (L/R)	0.60 in (T/B/L/R)
	Net Weight	45.2 lbs	136.7 lbs
	Packing Dimension (WxHxD)	54.1 × 33.4 × 5.6 in	83.7 × 51.7 × 11.7 in
	Packed Weight	50.7 lbs	167.8 lbs
Media Player compability	VESA	300mm x 300mm	600mm x 400mm
	OPS Type Compatible	Yes	Yes
Accessories	Basic	Power cord Remote controller RS 232 cable Battery Logo Spacer	Power cord Remote controller RS 232 cable Battery Logo Spacer

Hisense B2B USA  
 7310 McGinnis Ferry Rd  
 Suwanee, GA 30024  
 Phone: (678) 318-9060  
 Website: www.hisense-b2b.com  
 Sales inquiries: b2b.usa@hisense.com